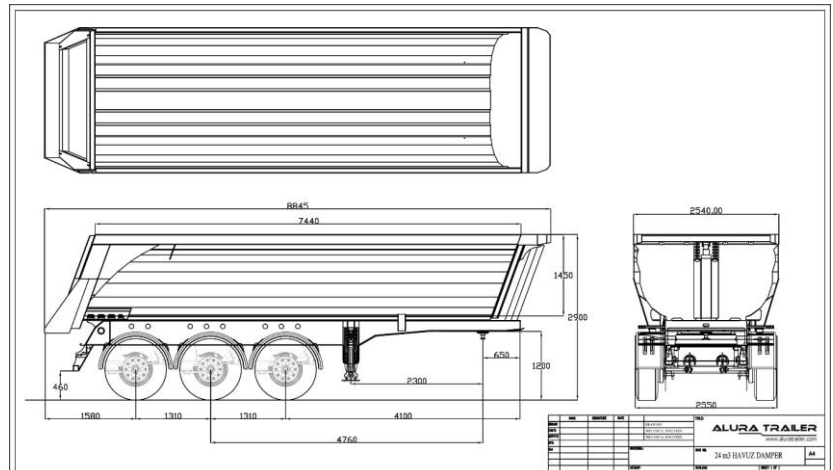


Chassis: Chassis will be made from ST 52-3 high resistance 5 mm quality steel. Chassis welding will be automatic welding system MIG. Chassis I beam will be 120-14 mm ST 70 vacuumless steel.

Axles: Axles are TIRKON brand axles each have 12 ton loading capacity. 1st Axle liftable.



Body: Tipper body will be single steel plate with the pressing. Tipper body welding will be MIG welding method. Body floor will be 5 mm ST 52-3 quality steel. Side of the Tipper body will be 4 mm ST 52-3 quality steel. Support steel of the body will be 4 mm ST 52-3 quality steel. All the welding will be MIG and synergic MIG welding with protective mixed argon gas.

Hydraulic: Hydraulic cylinder will be 5700 stork 5 stage heavy type with the capacity 45 ton. 80 lt Oil Tank. Jack for the plug to Truck, Hydraulic hose system and emergency valve, Direction vent and stopper.

Brake System: WABCO 2s2m / EBS

Landing Leg: 25 Ton loading capacity landing leg. Double speed, telescopic landing leg.

Kingpin size: 2" dia to SAE standard.(interchangeable)

Tires: Tires are 385 65 R 22,5 ; 6+ 1 Unit, BRIDGESTONE-PIRELLI or LASSA 11, 75-22,5 rims ; 6+1 rims

Electric System: Electric system is 24 volt with E certificate. Electrical Equipment / Lighting Electrical Socket complying with the European Community 76/756 EWG regulations, in conformity with ISO 12098, having 15 poles or 2x7 poles connected to the vehicle's front air panel. (Excluding the connection cable)

At the rear side, plate lighting, multi sectioned stop lights with triangular reflector integration, rear limit lights, side limit lights, front limit lights.

Accessories: 6 kg fire extinguisher and box spare tire holder, tool box, 35 ltr water tank and wheel chocker.

Mudguards will be galvanized steel

Paint: Trailer clean before painting and repair with paste for smooth face. Then prime paint and double last paint regarding customer request in oven.

WARRANTY

- 1 years supplied parts (Supplier warranty. Except accidents and using mistakes),
- 1 years or 100.000 km (must be choose) our production (Except accidents and using mistakes),